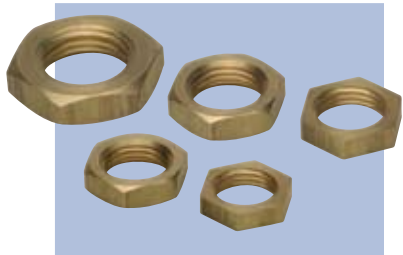




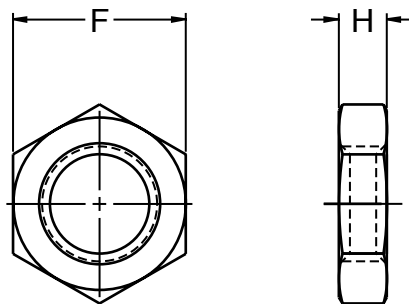
# SERIES H30 HEX MACHINE SCREW NUTS



These general-purpose hex nuts are designed to be used specifically with machine screws in light to moderate load assemblies.



Series H30



## HEX MACHINE SCREW NUTS, H30

Nominal or Basic Major Diameter of Thread and Threads Per Inch		F	H
		Wrench Size	Thickness
No. 2 – 56	0.0860 – 56	3/16	1/16
No. 3 – 48	0.0990 – 48	3/16	1/16
No. 4 – 40	0.1120 – 40	1/4	3/32
No. 5 – 40	0.1250 – 40	5/16	7/64
No. 6 – 32	0.1380 – 32	5/16	7/64
No. 8 – 32	0.1640 – 32	11/32	1/8
No. 10 – 24	0.1900 – 24	3/8	1/8
No. 10 – 32	0.1900 – 32	3/8	1/8
No. 12 – 24	0.2160 – 24	7/16	5/32
1/4 – 20	0.2500 – 20	7/16	3/16
5/16 – 18	0.3125 – 18	9/16	7/32
3/8 – 16	0.3750 – 16	5/8	1/4

**MATERIALS:** Brass, 303 Stainless Steel, and Aluminum.

**FINISHES:** Plain, Bright Nickel, Passivated, and Zinc with Chromate. Other finishes available upon request.

**TO ORDER:** Provide Series, thread size - pitch, material and finish.

**EXAMPLE:** H30, 1/4 – 20, Brass, Nickel

# SPIROL®

Innovative fastening solutions.  
Lower assembly costs.



## Challenge Us!

**SPIROL** Application Engineers will review your application needs and work with your design team to recommend the best solution. One way to start the process is to visit our **Optimal Application Engineering** portal at [www.SPIROL.com](http://www.SPIROL.com).

**U.S.A. Spirol International Corporation**  
30 Rock Avenue  
Danielson, Connecticut 06239  
Tel. +1 (1) 860.774.8571  
Fax. +1 (1) 860.774.2048

**Spirol West Inc.**  
1950 Compton Avenue, Unit 111  
Corona, California 92881-6471  
Tel. +1 (1) 951.273.5900  
Fax. +1 (1) 951.273.5907

**Spirol International Corporation  
Shim Division**  
321 Remington Road  
Stow, Ohio 44224  
Tel. +1 (1) 330.920.3655  
Fax. +1 (1) 330.920.3659

**Spirol Distribution**  
(For Distributor Customers)  
30 Rock Avenue  
Danielson, Connecticut 06239  
Tel. +1 (1) 860.774.8571  
Fax. +1 (1) 860.774.0487

**Canada Spirol Industries, Ltd.**  
3103 St. Etienne Boulevard  
Windsor, Ontario  
Canada N8W 5B1  
Tel. +1 (1) 519.974.3334  
Fax. +1 (1) 519.974.6550

**Mexico Spirol México, S.A. de C.V.**  
Carretera a Laredo KM 16.5 Interior E  
Col. Moisés Saenz  
Apodaca, N.L. 66613 México  
ó Apdo. Postal 151 de Apodaca, N.L.  
Tel. +52 (01) 81 8385 4390  
Fax. +52 (01) 81 8385 4391

**Europe Spirol Industries, Ltd.**  
Princewood Road  
Corby, Northants  
England NN17 4ET  
Tel. +44 (0) 1536 444800  
Fax. +44 (0) 1536 203415  
(UK Distributors: Tel. 0800 3890034)

**Spirol SAS**  
Rue Henri Rol Tanguy  
Z.A. Les Naux  
51450 Bétheny - Reims  
France  
Tel. +33 (0) 3 26 36 31 42  
Fax. +33 (0) 3 26 09 19 76

**Spirol GmbH**  
Briener Strasse 9  
80333 Munich  
Germany  
Tel. +49 (0) 931 454 670 74  
Fax. +49 (0) 931 454 670 75

**Asia Pacific Spirol International Engineered  
Fastener Trading Co. Ltd.**  
No. 11 Xi Ya Rd. North  
Section A, 1F, Building 14  
Wai Gao Qiao Free Trade Zone  
Shanghai, China 200131  
Tel. +86 (0) 21 5046-1451/1452  
Fax. +86 (0) 21 5046-1540

e-mail: [info@spirol.com](mailto:info@spirol.com)

[www.SPIROL.com](http://www.SPIROL.com)